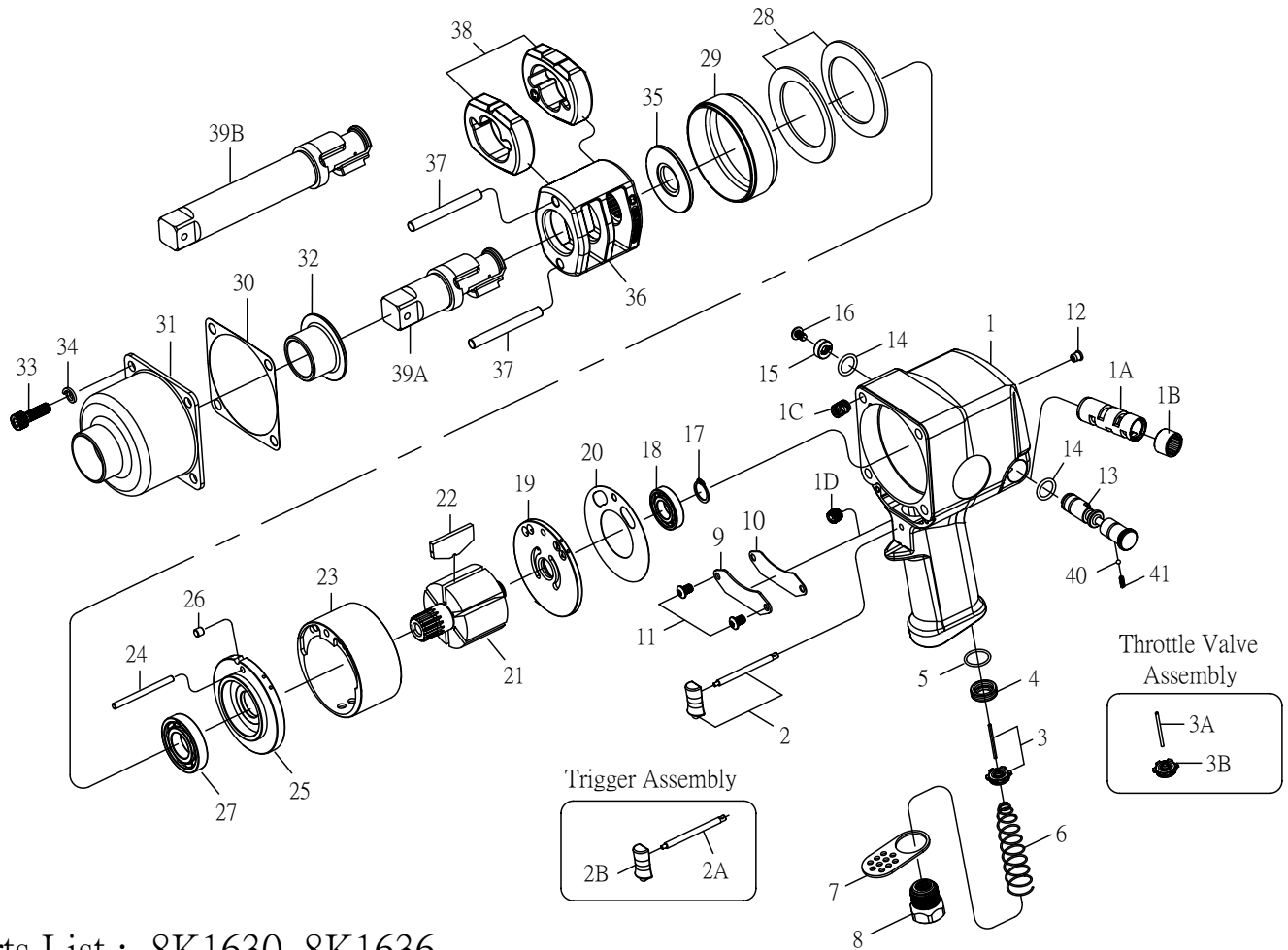




1" Drive Ultra Duty Air Impact Wrench



Parts List : 8K1630, 8K1636

2013.05

No.	Parts No.	Description	Q'ty
★ 1	08K601	Motor Housing Assembly {incl. 1A,1B,1C(4),1D,12}	1 Set
● 1A	08K601A	Valve Sleeve	1
● 1B	08K601B	Reverse Valve Bushing Gear	1
● 1C	08K601C	Heli-Coil	4
● 1D	08K601D	Set Screw	1
★ 2	08K602	Trigger Assembly {incl. 2A,2B}	1 Set
● 2A	08K602A	Trigger Pin	1
● 2B	08K602B	Trigger	1
★ 3	08K603	Throttle Valve Assembly {incl. 3A,3B}	1 Set
● 3A	08K603A	Throttle Valve Pin	1
● 3B	08K603B	Throttle Valve	1
4	08K604	Throttle Valve Seat	1
5	08K605	O-Ring	1
6	08K606	Throttle Valve Spring	1
7	08K607	Exhaust Deflector	1
8	08K608	Hose Fitting	1
9	08K609	Housing Plate	1
10	08K610	Gasket	1
11	08K611	Screw	2
● 12	08K612	Grease Fitting	1
13	08K613	Reverse Valve	1
14	08K614	O-Ring	2
15	08K615	Reverse Valve Knob	1
16	08K616	Screw	1
17	08K617	Retainer	1

No.	Parts No.	Description	Q'ty
● 18	08K618	Rear Rotor Bearing	1
★ 19	08K619	Rear End Plate Assembly {incl. 18}	1 Set
20	08K620	Gasket	1
21	08K621	Rotor	1
22	08K622	Rotor Blade	6
23	08K623	Cylinder	1
24	08K624	Cylinder Pin	1
★ 25	08K625	Front End Plate Assembly {incl. 27}	1 Set
26	08K626	Pin	1
● 27	08K627	Front Rotor Bearing	1
28	08K628	Motor Clamp Washer	2
29	08K629	Separator	1
30	08K630	Hammer Case Gasket	1
31	08K631	Hammer Case	1
32	08K632	Anvil Bushing	1
33	08K633	Cap Screw	4
34	08K634	Spring Washer	4
35	08K635	Hammer Frame Rear Washer	1
36	08K636	Hammer Frame	1
37	08K637	Hammer Pin	2
38	08K638	Hammer	2
39A	08K639A	Standard Anvil (for 8K1630)	1
39B	08K639B	6" Extended Anvil (for 8K1636)	1
40	08K640	Steel Ball	1
41	08K641	Spring	1
TK	08K6TK	Tune-Up Kit (5,6,14(2),17,18,20, 22(6),27,30,40,41)	1 Set

★ Must be Purchased in Assembly Set

● Cannot be Sold Separately due to Assembly Difficulty